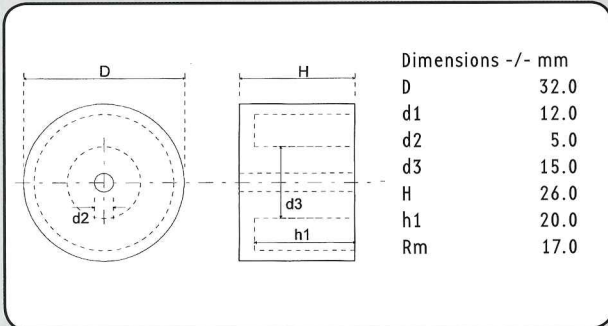
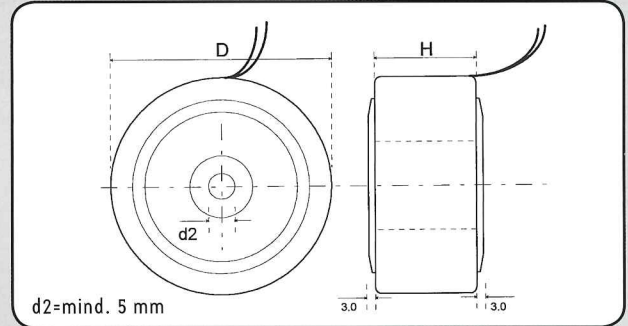


HQR – TUBE CORE INDUCTORS

HQR 32/26

Copper Wire Ø: 0,71 mm
 CU Purity: > 99,99 %
 Wire Bonding Length: 10 mm
 Tin Coated Length: 9 mm
 Core Material: HQ – Soft Ferrite
 L-tolerance: ± 5 %
 L-Value: Nom.- 25° C and 1 kHz

HQR 32/26 • CU 0.71 mm • Cross-Section 0.39 mm² AWG 21

| Description | L/mH | R/0hm | Order Number |
|---------------|------|-------|--------------|
| HQR32/068/071 | 0.68 | 0.39 | 134 0248 |
| HQR32/082/071 | 0.82 | 0.48 | 134 0249 |
| HQR32/1.0/071 | 1.00 | 0.53 | 134 0250 |
| HQR32/1.2/071 | 1.20 | 0.61 | 134 0251 |
| HQR32/1.5/071 | 1.50 | 0.69 | 134 0252 |
| HQR32/1.8/071 | 1.80 | 0.80 | 134 0254 |
| HQR32/2.0/071 | 2.00 | 0.84 | 134 0256 |

TOROBAR-INDUCTORS

TO 1000

CU Purity: > 99.99 %
 Length of Connection: 100.0 mm
 Peel off Length: min. 10.0 mm
 Core Type: TOROBAR Ring Core
 L-tolerance: ± 5 %
 L-Value: Nom. 25° C and 1 kHz

Torobar • CU 1.30 mm • Cross-Section 1.37 mm² AWG 16

| Description | L/mH | R/0hm | I sät | DxH/mm | Order Number |
|--------------|------|-------|-------|--------|--------------|
| T010/2.2/130 | 2.20 | 0.12 | 11.50 | 67x30 | 134 0580 |
| T010/3.3/130 | 3.30 | 0.17 | 10.70 | 73x31 | 134 0582 |
| T010/4.7/130 | 4.70 | 0.20 | 9.60 | 74x32 | 134 0584 |
| T010/5.6/130 | 5.60 | 0.22 | 8.80 | 74x33 | 134 0586 |
| T010/6.8/130 | 6.80 | 0.28 | 8.00 | 75x34 | 134 0588 |
| T010/8.2/130 | 8.20 | 0.22 | 8.00 | 77x41 | 134 0590 |
| T010/10/130 | 10.0 | 0.27 | 8.00 | 87x41 | 134 0592 |

Torobar • CU 1.40 mm • Cross-Section 1.54 mm² AWG 15

| Description | L/mH | R/0hm | I sät | DxH/mm | Order Number |
|-------------|------|-------|-------|--------|--------------|
| T010/15/140 | 15.0 | 0.29 | 8.00 | 93x48 | 134 0594 |