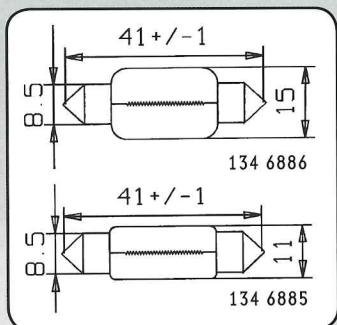


**SOFFITS/PLUGGABLE**

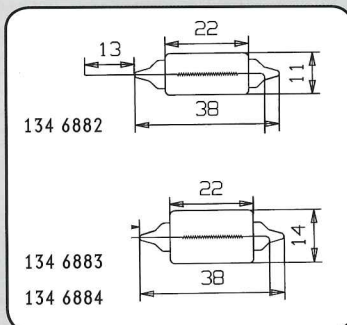

Pluggable Soffite. Use as quickly responding safety element. To protect mid range and high range speakers.  
Packing Unit: 2 Units


**Soffite/Pluggable**

Description	Wire Voltage	Dimensions/mm	Output/W	Order No.
SOF24/10/STE	24	41 x 11	10	134 6885
SOF24/18/STE	24	41 x 15	18	134 6886

**SOFFITES/SOLDERABLE**


Solderable soffites with axial connecting wires. Use as quickly responding safety element to protect mid range and high range speakers.  
Packing Unit: 2 Units


**Soffites/solderable**

Description	Wire Voltage	Dimensions/mm	Output/W	Order No.
SOF12/10/LOT	12	38 x 11	10	134 6882
SOF12/18/LOT	12	40 x 14	18	134 6883
SOF24/18/LOT	24	40 x 14	18	134 6884

**SOFFITE BRACKET**

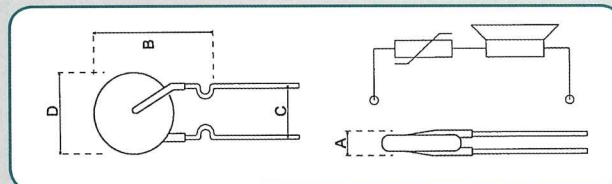
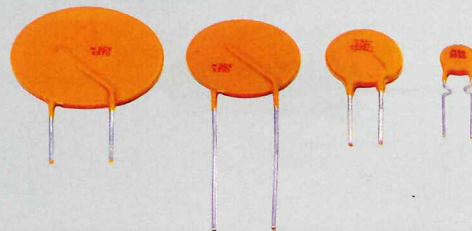
Soffite bracket for all pluggable soffites with a length of 41mm



Soffite bracket for all pluggable soffites with fixing hole

**Soffite Bracket**

Description	Application	Dimensions/mm	Order Number
SOH/41	Pluggable Soffites	41 x 11 x 22	134 6890
SOF/HALT1	Pluggable Soffites		134 6889

**PTC'S**


Ih: holding current  
Pd: output level when switched on  
R: Average resistance when switched off  
Is:  $1.5 * I_h$  (20° C)  
Reduced at  $U_o/2/4 * R_L < P_d$   
Uo: connection voltage

**Scale of the PTC-elements**

Loudspeaker	Size/ mm	Output/W	Minimum	average	maximum
Tweeter	10	<40	SE010	SE020	SE030
Tweeter	19-25	40-80	SE040	SE050	SE065
PA-tweeter	28	>100	SE050	SE065	SE090
Mid-range diver	100-130	50-100	SE065	SE090	SE110
Mid-range diver Hifi & PA	>100	>100	SE010	SE020	SE030
Woofer	25	40-60	SE110	SE135	SE160
Woofer	32-42	60	SE135	SE250	SE375

**PTC-elemente**

Descript.	Ih/A	Pd/W	R/Ω	D/mm	B/mm	C/mm	Order No.:
SE 010	0,10	0,38	4,50	7,40	12,7	5,10	134 7021
SE 020	0,20	0,41	2,84	7,40	12,2	5,10	134 7023
SE 025	0,25	0,45	1,95	7,40	12,7	5,10	134 7024
SE 030	0,30	0,49	1,36	7,40	13,0	5,10	134 7026
SE 040	0,40	0,56	0,86	7,60	13,5	5,10	134 7025
SE 050	0,50	0,77	0,77	7,90	13,7	5,10	134 7030
SE 065	0,65	0,88	0,48	9,70	14,5	5,10	134 7032
SE 075	0,75	0,92	0,40	10,4	15,2	5,10	134 7034
SE 090	0,90	0,99	0,31	11,7	15,7	5,10	134 7035
SE 110	1,10	1,50	0,25	13,0	18,0	5,10	134 7037
SE 135	1,35	1,70	0,19	14,5	19,6	5,10	134 7040
SE 160	1,60	1,90	0,14	16,3	21,3	5,10	134 7038
SE 185	1,85	2,10	0,12	17,8	22,9	5,10	134 7044
SE 250	2,50	2,50	0,08	21,3	26,4	10,2	134 7046
SE 300	3,00	2,80	0,06	24,9	30,0	10,2	134 7048
SE 375	3,75	3,20	0,05	28,4	33,5	10,2	134 7049